

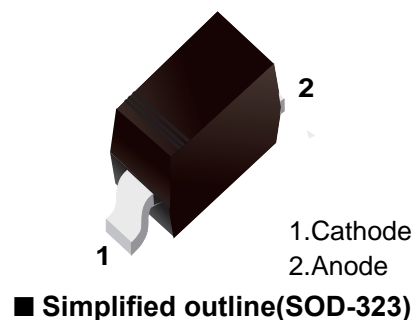
■ Schottky Barrier Diode

■ FEATURES

- Low Forward Voltage Drop.
- Guard Ring Construction For Transient Protection.
- Negligible Reverse Recovery Time.
- Low Reverse Capacitance.

■ APPLICATIONS

- Schottky barrier switching.



Top View 

■ MAXIMUM RATING @ Ta=25°C unless otherwise specified

| Parameter | Symbol | SD103AWS | SD103BWS | SD103CWS | Unit |
|---|-----------------|----------|----------|----------|------|
| Peak Repetitive Peak reverse voltage | V_{RR} | | | | |
| Working Peak DC Reverse Voltage | V_{RWM} | 40 | 30 | 20 | V |
| | V_R | | | | |
| RMS Reverse Voltage | $V_{R(RMS)}$ | 28 | 21 | 14 | V |
| Forward Continuous Current | I_F | 350 | | | mA |
| Repetitive Peak Forward Current @t≤1.0s | I_{FRM} | 1.5 | | | A |
| Power Dissipation | P_d | 400 | | | mW |
| Thermal Resistance Junction to Ambient | $R_{\theta JA}$ | 300 | | | °C/W |
| Storage temperature | T_{stg} | -65~+125 | | | °C |

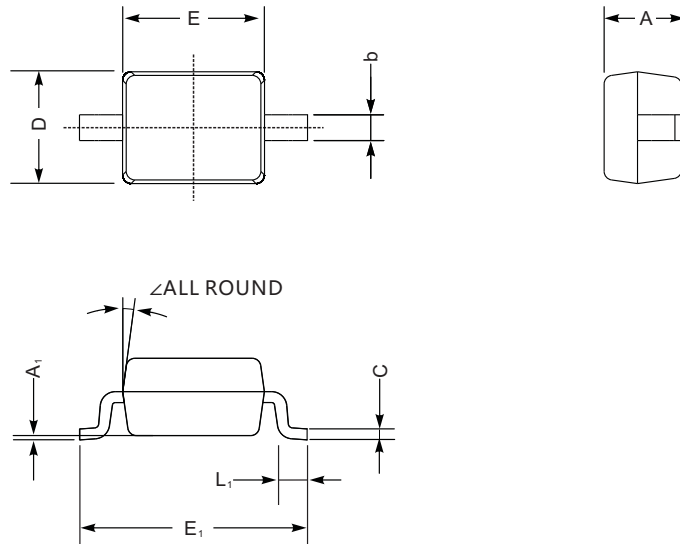
■ ELECTRICAL CHARACTERISTICS @ Ta=25°C unless otherwise specified

| Parameter | Symbol | Min. | Typ. | Max. | Unit | Conditions |
|-------------------------------|-------------|------|------|--------------|---------|--|
| Reverse Breakdown Voltage | $V_{(BR)R}$ | 40 | | | V | $I_R=10\mu A$ |
| | | 30 | | | | $I_R=10\mu A$ |
| | | 20 | | | | $I_R=10\mu A$ |
| Forward voltage | V_F | | | 0.37 0.60 | V | $I_F=20mA$ $I_F=200mA$ |
| Reverse current | I_{RM} | | | 5.0 | μA | $V_R=30V$ $V_R=20V$ $V_R=10V$ |
| Capacitance between terminals | C_T | | 50 | | pF | $V_R=0, f=1MHz$ |
| Reverse Recovery Time | t_{rr} | | 10 | | ns | $I_R=I_F=200mA$ $I_{rr}=0.1 \cdot I_R, R_L=100\Omega$ |

■ Marking

| NO. | SD103AWS | SD103BWS | SD103CWS |
|---------|----------|----------|----------|
| Marking | S4 | S5 | S6 |

■ SOD-323



SOD-323 mechanical data

| UNIT | | A | C | D | E | E ₁ | b | L ₁ | A ₁ | \angle |
|------|-----|-----|------|-----|-----|----------------|------|----------------|----------------|----------|
| mm | max | 1.1 | 0.15 | 1.4 | 1.8 | 2.75 | 0.4 | 0.45 | 0.2 | 9° |
| | min | 0.8 | 0.08 | 1.2 | 1.4 | 2.55 | 0.25 | 0.2 | — | |
| mil | max | 43 | 5.9 | 55 | 70 | 108 | 16 | 16 | 8 | |
| | min | 32 | 3.1 | 47 | 63 | 100 | 9.8 | 7.9 | — | |

■ The recommended mounting pad size

